

The Raymond and
Beverly Sackler Faculty
of Exact Sciences
Tel Aviv University

Question Decomposition *with* Dependency Graphs

Matan Hasson and Jonathan Berant, 2021



What is a QDMR?

- ▶ Question Decomposition Meaning Representation

Which of the Indiana Jones movies was released on June 12, 1981?

1. Indiana Jones
2. movies of #1
3. when was #2 released
4. #2 where #3 is equal to June 12 , 1981

Question
Reference
Function



Generation → Dep. Parsing

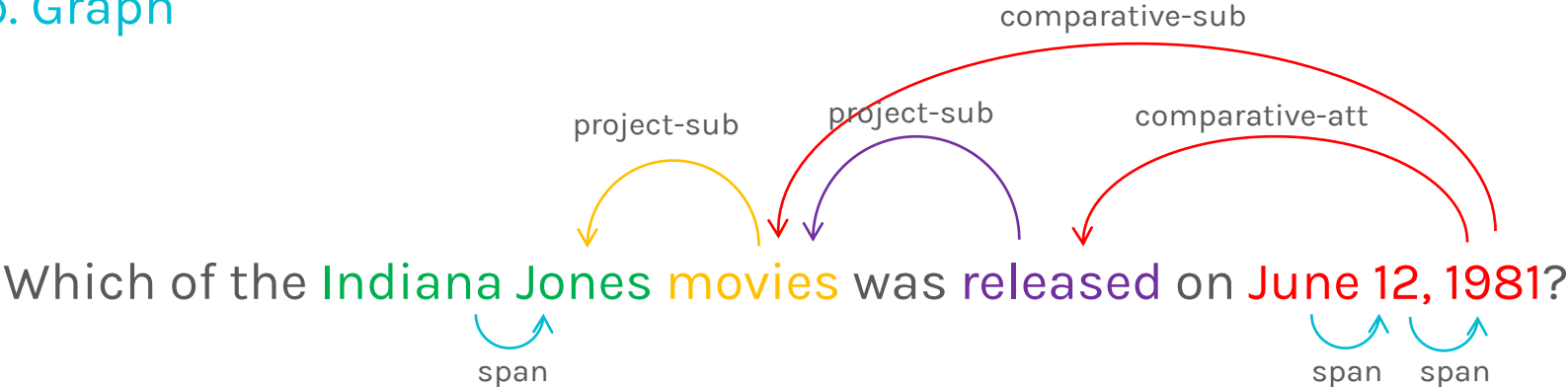
Which of the **Indiana Jones movies** was **released** on **June 12, 1981**?

- 1. **Indiana Jones**
- 2. **movies** of #1
- 3. when was #2 **released**
- 4. #2 where #3 is equal to **June 12, 1981**

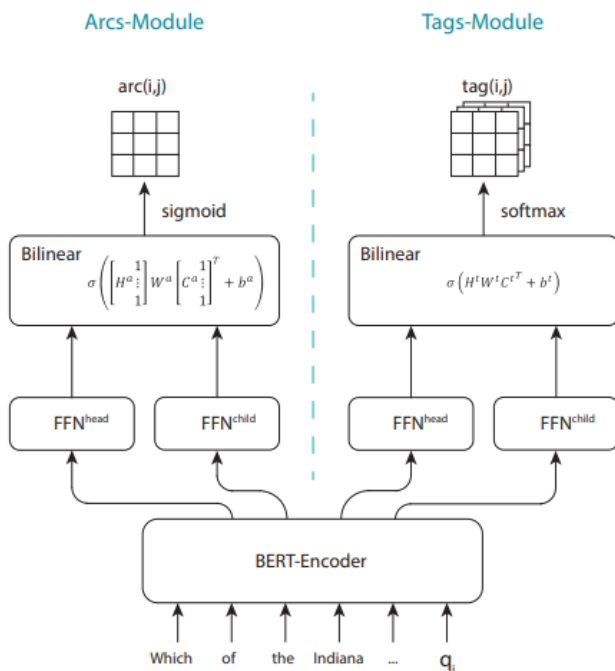
Seq2Seq

Which of ...? [SEP] Indiana Jones [SEP] movies of ...

Dep. Graph



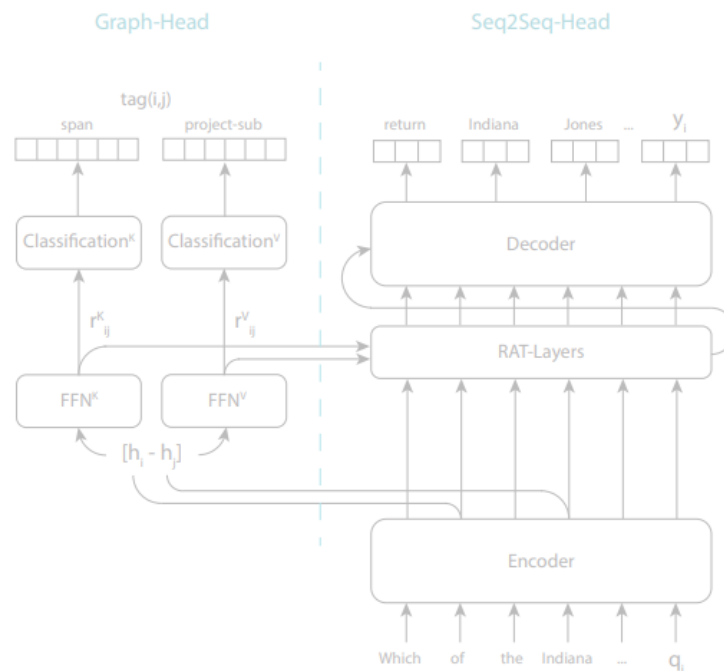
Models



Biaffine Graph Parser

(Dozat and Manning, 2018)

- ✓ 16X faster inference time
- ✓ Sample complexity



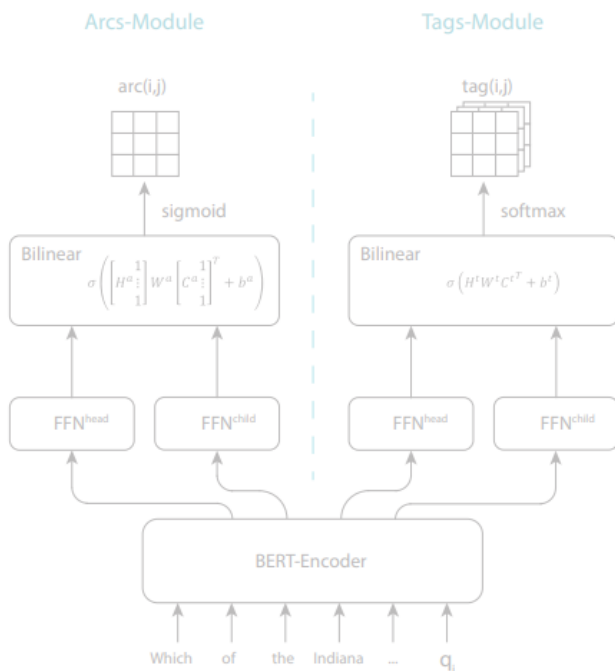
Latent-RAT

(ours)

- ✓ Domain generalization
- ✓ Long decompositions



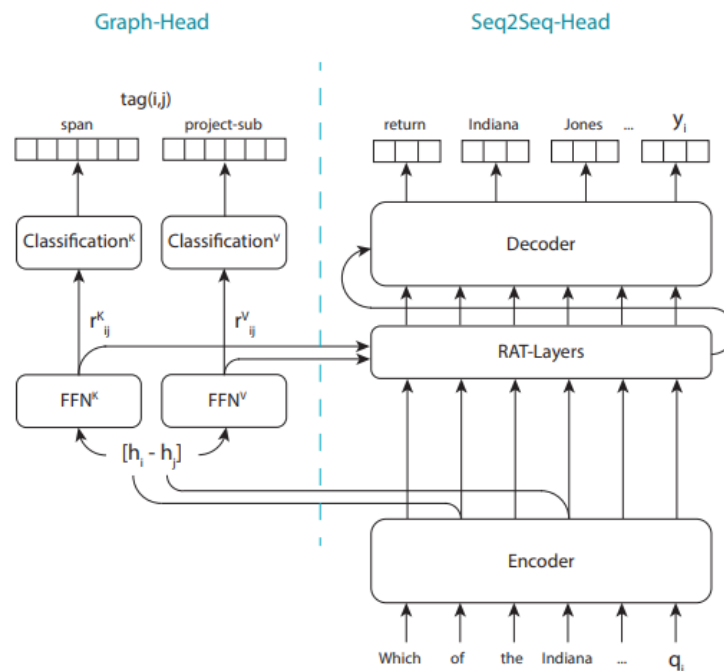
Models



Biaffine Graph Parser

(Dozat and Manning, 2018)

- ✓ 16X faster inference time
- ✓ Sample complexity



Latent-RAT

(ours)

- ✓ Domain generalization
- ✓ Long decompositions



Error Analysis



Thank You!

